

## ChemFeed Bin™ - NEW Product

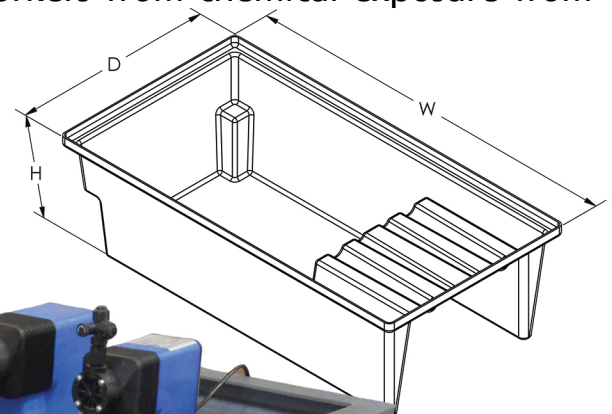
(Patent Pending)

CHEMFEED BIN™ CHEMFEED BIN™ CHEMFEED BIN™ CHEMFEED BIN™ CHEMFEED BIN™ CHEMFEED BIN™ CHEMFEED BIN™ CHEMFEED BIN™

Gemini ChemFeed Bin™ is designed to safely contain your single-walled process tank and provide an integral mounting surface for Chemical Feed pumps or other equipment.

Available in three sizes, the Gemini ChemFeed Bin™ can accommodate tanks from 5 to 500-gallon sizes and up to four (4) metering pumps. Also designed for integral mounting of an optional PCS 2.1 Pump Containment Shelf to protect your pumps from the environment and workers from chemical exposure from leaking pumps or tubing.

Description	Part Number	Dimensions (W x D x H)	Capacity
Small	02-30331	66" x 35.25" x 19.5"	107



The integral molded channels automatically divert any leaks from pump platform into the containment area to prevent unwanted hazardous materials discharge. Multiple tanks can be installed in the larger sizes for safe containment of more than one tank. Exceeds EPA 49 CFR secondary containment requirements.

Please Note: Tank and Pumps are not included in purchase of ChemFeed Bin™. They can be purchased separately.



13435 Estelle Street Corona, CA 92879  
 ph: 951-734-7711 | fx: 951-734-4111  
 www.etanks.com | sales@etanks.com

©2014 Peabody Engineering & Supply, Inc. All rights reserved.  
 CFB032014

**DISTRIBUTED BY**